

BT

HYDRAULIC COMPARISON CALIBRATION PUMPS

2000-3000

Operative range:

0 / 2000 bar

0 / 3000 bar

Applications:

Testing and calibrations of manometers and transducers combined with standard reference instruments.



GIUSSANI



BT 2000-3000

HYDRAULIC COMPARISON CALIBRATION PUMPS

The pumps of the **BT** series make it possible to generate hydraulic pressures up to 2000 and 3000 bar necessary for the comparison calibration of gauges, pressure switches and transducers with standard gauges.

Their sturdiness and compactness make them easy to use both in the laboratory and on the field. Their installation and maintenance have been simplified as much as possible so that they can be easily and immediately used.

The structure is made of a central tank where the oil converges, a drainage ball valve, the seal system for the tank and two 1/2 BSP connections to connect the reference gauge to the gauge under test.

All the pumps are equipped with a manual preload pump to quickly fill the circuit.

GENERAL CHARACTERISTICS COMMON TO BOTH MODELS

- Stainless steel structure.
- Aluminium bars to secure the pump on the work bench.
- High pressure unit made in one stainless steel piece.
- Stainless steel trapezoidal screws with stainless steel bearing.
- Triple-spoke hand wheel.
- Sockets for 1/2" BPS gauges with rotating screw nut, OR and/or fitting cone seal.
- Hydraulic liquid used: oil.

BT2000 TECHNICAL CHARACTERISTICS

- Use range from 0 to 2000 bar
- Tank capacity: 33 cc
- Displacement/turn: 0,75 cm³
- High resistance stainless steel cylinder
- Stainless steel piston
- Total screw stroke: 93 mm
- Operative stress: 3000 bar
- Measurements: 360 x 200 x 158 mm
- Weight: 14,6 Kg

BT3000 TECHNICAL CHARACTERISTICS

- Use range from 0 to 3000 bar
- Tank capacity: 33 cc
- Displacement/turn: 0,75 cm³
- High resistance stainless steel cylinder
- Stainless steel piston
- Total screw stroke: 93 mm
- Operative stress: 3000 bar
- Measurements: 360 x 200 x 158 mm
- Weight: 14,6 Kg

STANDARD SUPPLY

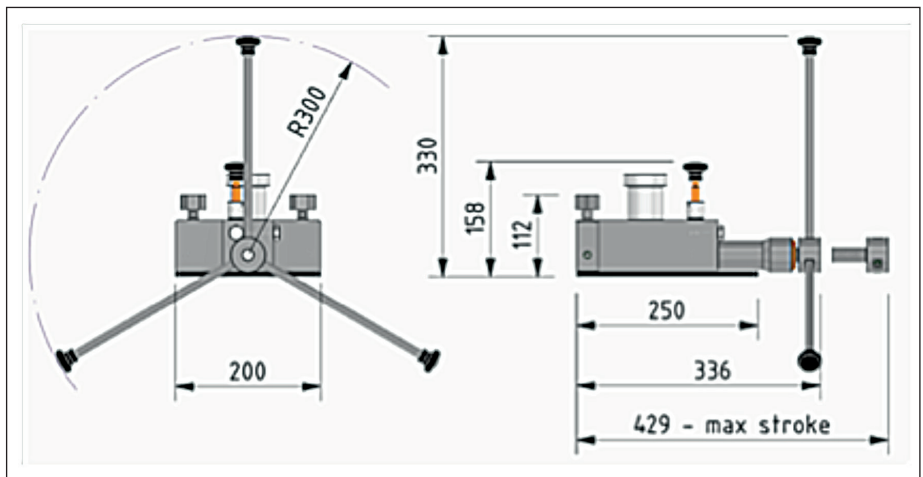
- 1/2" BPS rotating connections
- N° 2 fitting cones, N° 2 O-rings.
- Sturdy waterproof and dust proof ABS carrying case.

OPTIONAL

- DMM-LAB: digital pressure gauges up to 0/2000, 0/2500, 0/3000 bar, accuracy: ±0,05% with Accredia certificate.

ORDERING CODES

- **BT2000**: GPM2000 hydraulic comparison calibration pump.
- **BT3000**: GPM3000 hydraulic comparison calibration pump.
- **2ID-000003**: metal cone and O-ring.
- **OLIO-PS/50**: oil for 3000 bar pressure.



CE conformity – PED 97/23/CE (PS>1000 bar; Modul A, pressure measurement devices).

EUROPEAN UNION - REG. NO. 1999/10



GIUSSANI S.r.l.
Via dei Crederi, 411
24045 Fara Gera d'Adda (BG) - Italy
Tel.: 0363/399019 - Fax.: 0363/398725

www.giussanionline.it
info@giussanionline.it



CERTIFICATION:
All instruments are supplied with final testing, stability and accuracy certification traceable to Accredia standards.