



Sistemi di calibrazione per temperatura e pressione

Banchi prova rubinetteria e componenti idraulici

Apparecchiature di test

High Pressure Comparison Test Pump

LR-Cal LSP-7000

Pressure Source for calibration purposes

Operating fluid: oil

Pressure Comparison Test Pumps are used to generate pressures for checking, adjusting and calibrating mechanical and electronic pressure measuring instruments by comparative measurements. These pressure tests may be carried out in laboratories, workshops or on site at the measuring point.



The comparison test pump **LR-Cal LSP-7000** is equipped with two connections for the test specimen and the reference instrument which can be used in any order. If the instrument to be tested and a sufficiently accurate reference measuring instrument are connected to the test pump, the same pressure is applied to the two measuring instruments when the pump is operated. By comparing the two measured values at random pressure values, the accuracy can be verified or the instrument under test can be adjusted. First the pressure is set via an integrated initial (priming) pressure pump. For further pressure generation and for fine adjustment by approaching the measuring points precisely an adjustable volume with precision spindle is available. Another important feature of the test pump **LR-Cal LSP-7000** is the rotating spindle that only runs inside the body of the pump. This eliminates the negative effect of a bending torque on a spindle turning outside the body and offers the advantage, especially for use in the field, that the dimensions of these pumps do not change during operation due to the spindle turning.

Technical Data

| Order-Code: | | LSP-7000-HP |
|-----------------------------------|-----------------|--|
| Pressure Range: | | 0...7000 bar 0...101520 psi |
| Medium: | | oil |
| Pressure connections: | | 2 x M16 x 1,5 male thread, rotating, changeable, with sealing cone |
| Distance of the test connections: | | 346 mm |
| Liquid reservoir: | | 250 cm ³ |
| Piston diameter: | | 7.5 mm |
| Swept volume per revolution: | | approx. 0.08 cm ³ |
| Overall swept volume: | | approx. 2.5 cm ³ |
| Required moment at | 250 bar | 1.5 Nm |
| | 500 bar | 3.0 Nm |
| | 1000 bar | 6.0 Nm |
| | 3000 bar | 18 Nm |
| | 5000 bar | 30 Nm |
| | 7000 bar | 42 Nm |
| Material | Cylinder | stainless steel |
| | Piston | hardened steel |
| | Tubing | stainless steel 1.4404, 6 x 2 mm |
| | Sealing gaskets | NBR |
| Dimensions: | | W 460 x D 445 x H 265 mm |
| Weight: | | 32.5 kg |
| CE-Conformity: | | 97/23/EC Pressure equipment directive (Module A) |

Giussani S.r.l.

Via dei Crederi, 411 – Fara Gera d’Adda – BG – ITALY

Tel. 0363-399019 – Fax 0363-398725

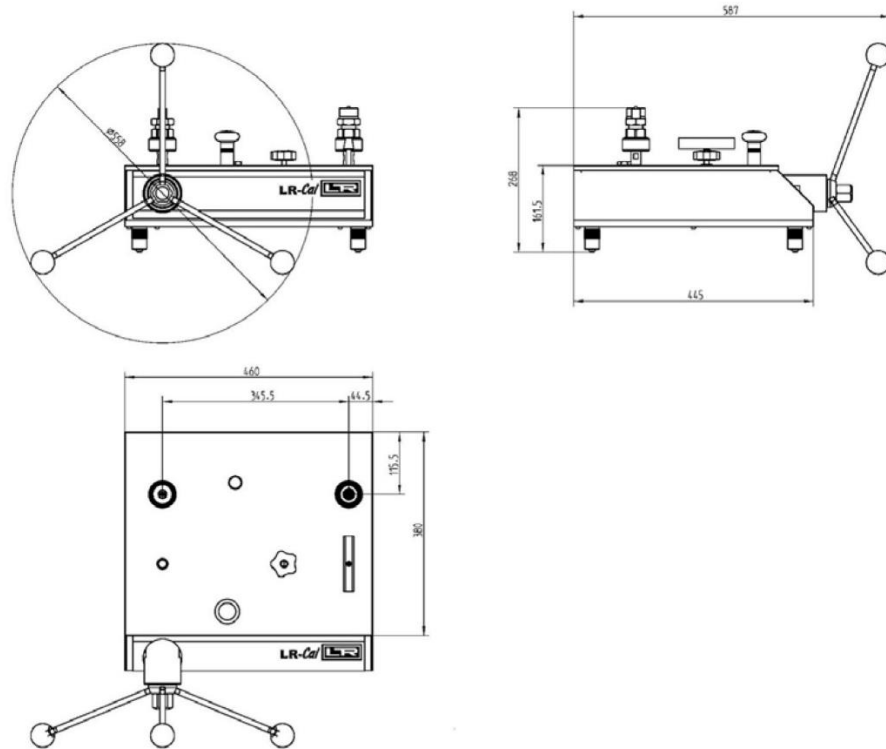


Sistemi di calibrazione per temperatura e pressione

Banchi prova rubinetteria e componenti idraulici

Apparecchiature di test

Dimensions:



Optional Accessories:

| Order-Code | Description |
|--------------|--|
| LSP-HP-FLUID | Operation liquid, 0.5 l in plastic bottle |
| LSP-HP-A-M16 | Threaded adapter M16 x 1.5 male thread with sealing cone Material: hardened stainless steel |
| LSP-HP-A-M20 | Threaded adapter M20 x 1.5 male thread with sealing cone Material: hardened stainless steel |
| LSP-HP-A-916 | Threaded adapter 9/16-18 UNF male thread with sealing cone Material: hardened stainless steel |
| LSP-HP-A-G12 | Threaded adapter 1/2" BSP female thread with O-ring, max. 1600 bar (max. 23200 psi). Material: stainless steel 1.4571 |

Recommended Reference Instrument:

Electronic **pressure calibrator LR-Cal LPC 300** together with High-Pressure-Transmitter **LPC-S**. This special pressure transmitter are available e.g. with ranges **0-5000 bar** (0-72520 psi) or **0-8000 bar** (0-116000 psi). Used with the **LR-Cal LPC 300** calibrator, the total accuracy is better than **±0.15%** of full scale value. In this way, the functionality of the **LR-Cal LPC 300** calibrator is also available for this very high pressures.

Supply includes a traceable certificate of calibration.

Optional: DAkKS (DKD) certification.



Alternatively: pressure calibrator **LR-Cal PC 200**, up to 8000 bar (0...116000 psi)

Giussani S.r.l.

Via dei Crederi, 411 – Fara Gera d’Adda – BG – ITALY

Tel. 0363-399019 – Fax 0363-398725